

OWNER'S GUIDE

Model No. 191-761

10 C

42" MOWING UNIT

WARRANTY

For one year from date of purchase, MTD Products Inc will replace for the original purchaser, free of charge, F.O.B. factory or authorized service firm, any part or parts found to be defective in material or workmanship. All transportation charges on parts submitted for replacement under this warranty must be paid by the purchaser. This warranty does not include replacement of parts which become inoperative through misuse, excessive use, accident, neglect, improper maintenance or alterations by unauthorized persons. This warranty does not include the engine, motor, battery, battery charger or any component parts thereof. For service on these units refer to the applicable manufacturer's warranty.

The above warranty will apply only to the original owner and will be effective only if the warranty card has been properly processed. It will not apply where the unit has been used commercially.

Warranty service is available through your local authorized service dealer or distributor. UNDER NO CIRCUMSTANCES WILL THE RETURN OF A COMPLETE UNIT BE ACCEPTED BY THE FACTORY UNLESS PRIOR WRITTEN PERMISSION HAS BEEN EXTENDED.

ASSEMBLY -

To assemble mowing unit, attach the chute guard (39) with Hex head cap screws (13), washer (11) and nut (10).

ATTACHING MOWING UNIT -

1. Move lift lever handle on the tractor all the way down.
2. Lower height adjustment handle (42) until the unit is in the lowest cutting position.
3. Slide mowing unit under the tractor and position it to clear the belt guard on the P.T.O.
4. Attach drive shaft (3) to P.T.O. and tighten square headed set screw (4).
5. Hook outside linkage arm to the pins on the tractor and secure with washer (21) and cotter pin (24). Attach the inside linkage arm to the loose pin on the front of the tractor.
6. Remove lift handle bracket and attach lift lever bracket (19), replace handle bracket and secure with washer (21) and cotter pin (24).

OPERATING THE MOWING UNIT -

To operate the mowing unit, move the lift bar all the way down. Lower or raise the height adjustment arm to desired position and engage the P.T.O. handle by pressing the handle towards the operator and lifting.

CUTTING HEIGHT - Your mowing unit is designed to cut grass from 1-1/2 to 5-1/2 inches high. To disengage power to the blades, press down on the P. T. O. handle. The blades will not rotate when the P. T. O. is disengaged. However, always shut the engine off and disconnect spark plug wire when cleaning grass from the discharge chute.

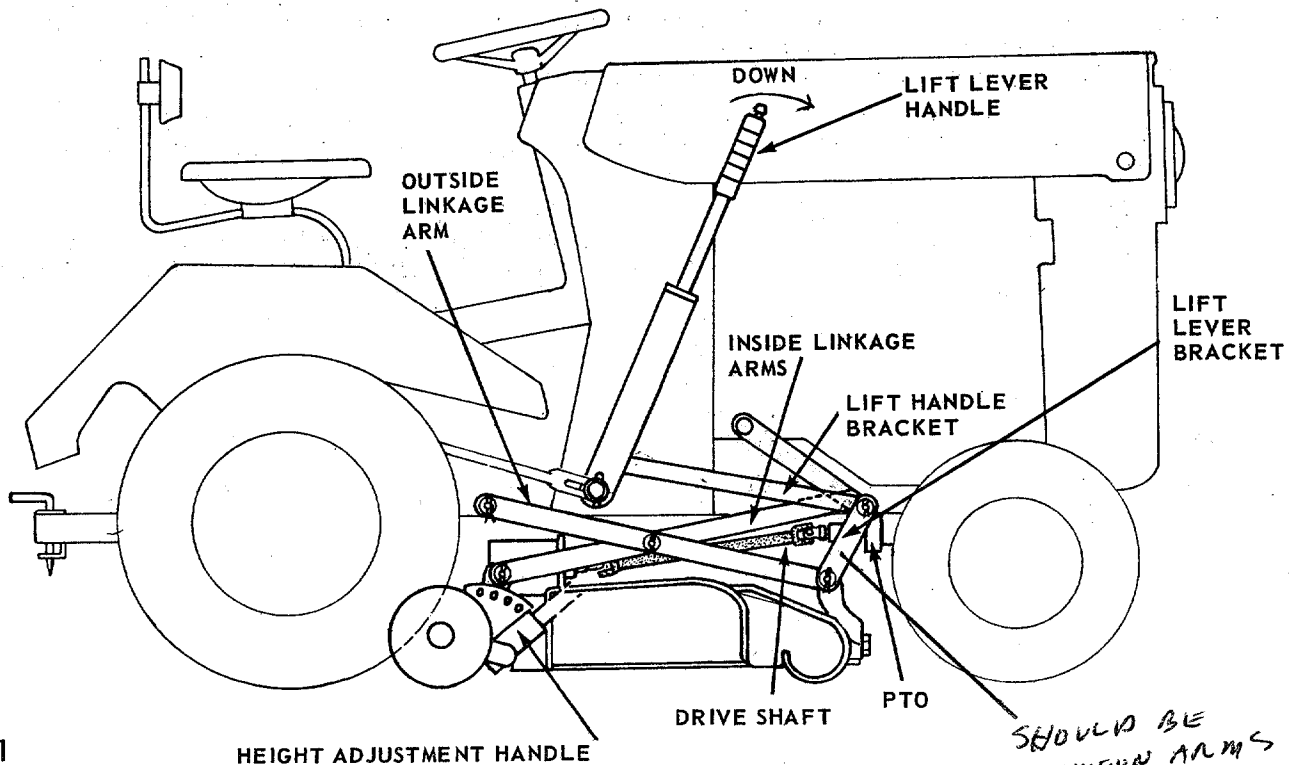
The cutting height can be set either of two ways. One setting is for rough mowing and the other is for normal mowing.

NORMAL MOWING - Set your mowing height with the height adjustment handle (Fig. 1). Move the height adjustment handle forward to lower the cut of the grass. Move the lift lever handle (on the tractor) all the way forward. This will allow the deck to "float" and follow the contour of the ground.

ROUGH TERRAIN MOWING - Set height adjuster handle to clear the ground by 1/4" to prevent scalping and set lift lever for desired cutting height.

(It is recommended that the P. T. O. be engaged fast to prolong the life of the belt. By engaging the P. T. O. slowly, the belt will slip and has a tendency to wear out.) To disengage simply push down on the lever.

DO NOT attempt to work on the unit or remove grass from the chute without stopping the engine.



NOTE

For best mowing results, use high engine or blade speed and low travel speed. Throttle should be at "FAST" position.

LUBRICATION -

RIGHT ANGLE DRIVE - Check grease level after every 25 hours of operation. Lubricate with 4 ounces of E. P. G. Lithium grease.

WHEELS - Grease once each season with a hand or pressure type grease gun. Use multi-purpose automotive type grease.

LINKAGE ARMS - Lubricate after every 25 hours of use. Use multi-purpose automotive type grease on pins on the frame (See Fig.).

SPINDLES - and other parts which have grease fittings should be greased every 25 hours.

ALL OTHER MOVING PARTS - Lubricate once each season with light machine oil.

BELT REPLACEMENT

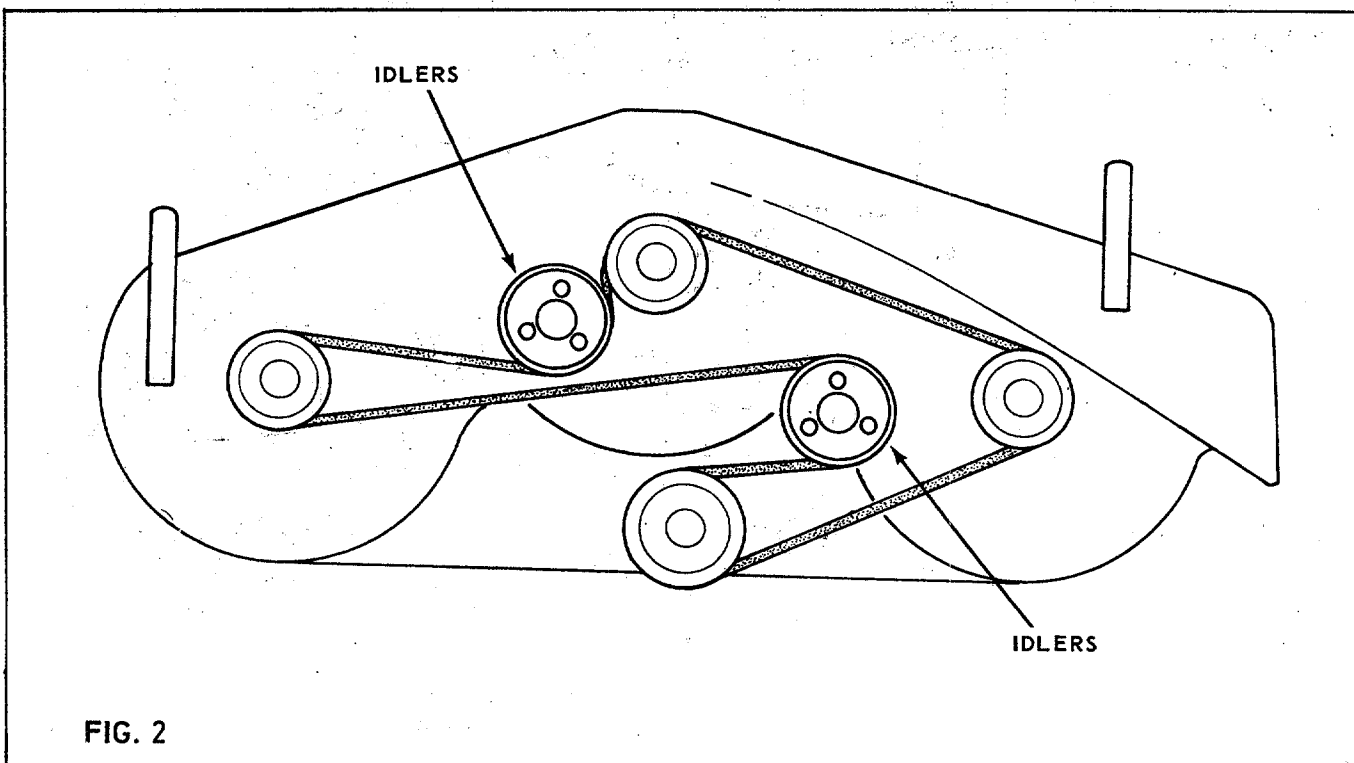
The belt is an "A" Sec 105 inches long.

1. Remove the mowing deck cover.
2. Remove spring (50) from idler. There should be enough slack on the belt to remove it.
3. Reassemble.
4. To be sure that the belt is on correctly, see Fig. 2.

REMOVING AND SHARPENING BLADES - (See Fig. 3)

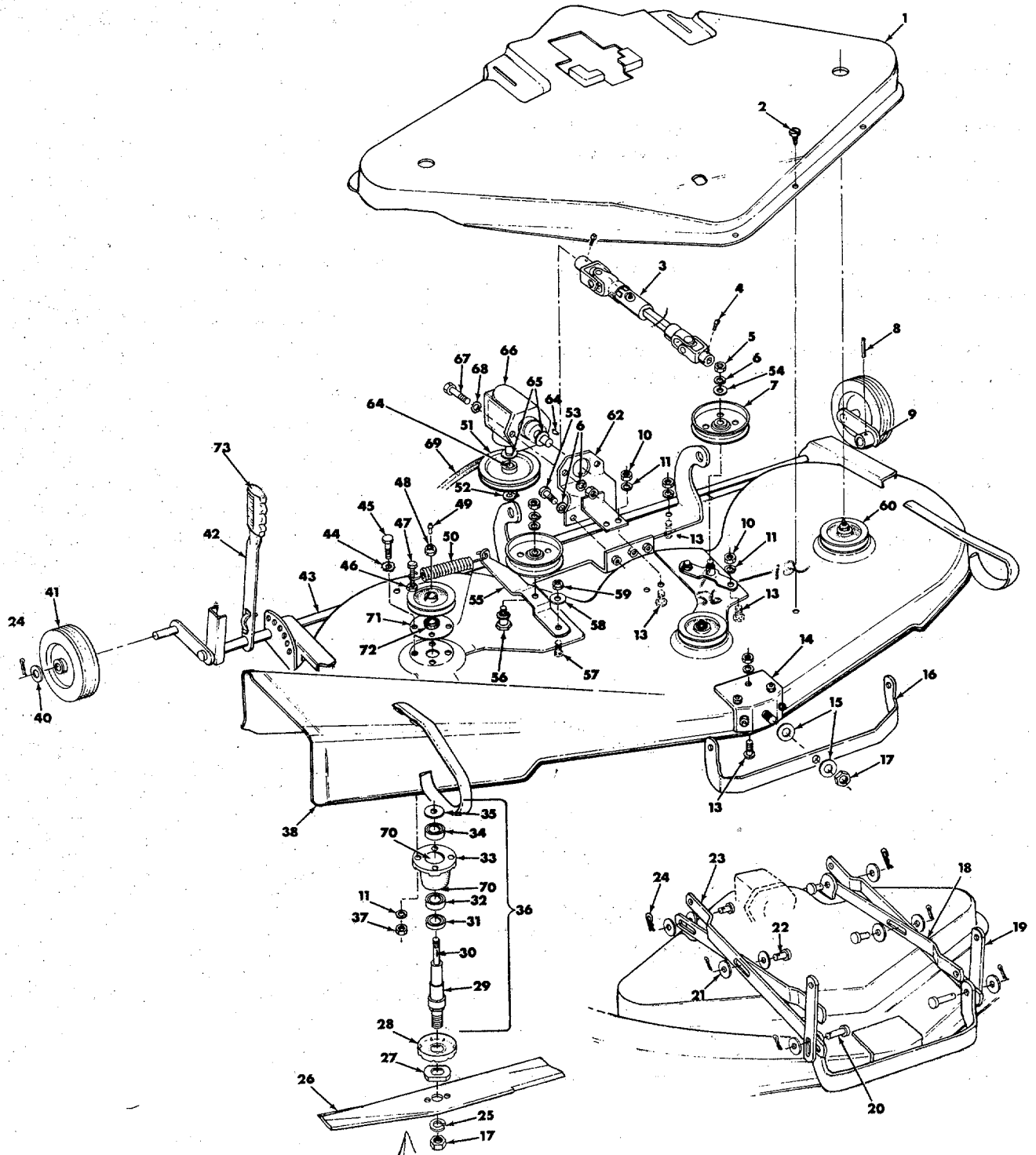
The blades are held with a hex centerlock nut (17) and a spring lockwasher (25). To remove, wrap the blades cutting edge with a rag and remove the hex centerlock nut (17).

When grinding or filing the blades to sharpen them, remove equal amounts of metal from both edges to keep the blade in balance. The blade can be tested for balance by balancing it on a knife blade held in a vise. Remove metal from the heavy side until it balances directly over the center hole in the blade. When replacing the blade, be sure that the air-foil is turned up.



42" MOWING UNIT MODEL 191-761

WHEEL KIT 90-11283



742-0117

FIG. 3

PARTS LIST FOR MOWING UNIT 191-761

Illus. No.	Part No.	DESCRIPTION	Illus. No.	Part No.	DESCRIPTION
1	348-9549	Belt Cover	40	736-116	Flat Washer 5/8 I.D. x .937 O.D. x .062 GA *
2	710-352	Hex Head Sheet Metal Screw Type 2 #14 x 3/8 Lg.	41	734-225	Wheel Assembly
3	717-135	Universal Drive Shaft Assembly (760-860-960)	42	348-9548	Wheel Adjustment Handle Assembly
4	710-356	Square Head Set Screw 5/16-18 x 1/2 Cup Point	43	348-9544	Wheel Bracket Shaft Assembly
5	712-798	Hex Nut 3/8-16 Thd. *	44	736-607	Ext. Lockwasher 5/16 Screw *
6	736-169	Spring Lockwasher 3/8 Screw *	45	710-158	Hex Head Cap Screw 5/16-24 x 1-1/4 Lg. *
7	711-306	Deck Idler	46	712-287	Hex Nut 1/4-20 Thd. *
8	715-114	Spirol Pin 1/4 x 1-1/2 Heavy Duty *	47	710-106	Hex Head Cap Screw 1/4-20 x 1-1/4 Lg. *
9	348-9546	Deck Wheel Bracket Assembly	48	712-221	Elastic Lock Nut 5/8-18 Thd. *
10	712-267	Hex Nut 5/16-18 Thd. *	49	737-479	Grease Fitting
11	736-119	Spring Lockwasher 5/16 *	50	732-180	Extension Spring
12	348-9491	Spring Idler Bracket	51	719-124	Deck Drive Pulley
13	710-451	Carriage Bolt 5/16-18 x 3/4 Lg. *	52	716-111	Snap Ring
14	348-9482	Deck Hanger Bracket Assembly	53	710-253	Hex Head Cap Screw 3/8-16 x 1-1/4 Lg. *
15	310-7387	Flat Washer	54	736-300	Flat Washer 3/8 I.D. x 7/8 O.D. x .060 *
16	348-9484	Deck Hanger	55	348-9489	Spring Idler Bracket
17	712-923	Hex Centerlock Nut 5/8-18 Thd. *	56	711-300	Shoulder Bolt
18	348-9486	Inside Deck Link	57	710-334	Shoulder Screw
19	348-9487	Deck Lift Link	58	310-7386	Flat Washer
20	711-308	Clevis Pin	59	712-430	Elastic Locknut 3/8-16 Thd. *
21	736-179	Flat Washer 17/32 I.D. x 1-1/4 O.D. x .060 *	60	719-131	Deck Spindle Pulley 3/8-16 Thd. *
22	711-310	Clevis Pin	61	348-9545	Deck Mounting Bracket Assembly
23	348-9485	Outside Deck Link	62	348-9505	Gear Box Mtg. Bracket Assembly
24	714-121	Cotter Pin 5/32 Dia. x 1 Lg. *	63	712-798	Hex Nut 3/8-16 Thd. *
25	736-158	Spring Lockwasher 5/8 Screw *	64	714-314	Hi Pro Key 3/16 x 3/4 *
26	348-9492	Blade	65	736-181	Flat Washer 29/32 I.D. x 1-3/4 O.D. x .060 *
27	748-140	Drive Collar	66	717-144	Right Angle Gear Box
28	310-8855	Shield	67	710-342	Hex Head Cap Screw 3/8-16 x 1-1/4 Lg. *
29	711-342	Blade Spindle	68	736-148	Ext. Lockwasher 3/8 Screw *
30	714-314	Square Key 3/16 x 3/4 Lg. * 714-314	69	754-125	Drive Belt "A" Sect. 105"
31	721-105	Seal †	70	711-341	Spacer †
32	741-107	Timken Bearing 3/4 Bore †	71	348-9904	Dust Shield
33	719-120	Housing †	72	736-194	Washer Poly Ureth 1" I.D. x 1-3/4 O.D. x 3/8 Thd.
34	741-120	Timken Bearing 1 1/16 Bore †	73	305-8118	Grip
35	736-154	Flat Washer 501/503 I.D. x 1.560/1.562 O.D. x 20GA †			
36	901-9589	Spindle Assembly			
37	712-123	Hex Nut 5/16-24 Thd. *			
38	348-10748	Mower Deck Assembly			

OK 1-19-99 B=0
 P/N 5/8 ID
 CAST PULLEY
 STAMPED PULLEY (STEEL)
 756-0186 = 3/4" ID
 (CAST)

CAST
 1" ID
 2

11-02-91

990

* For faster service obtain standard nuts, bolts, and washers locally. If these items cannot be obtained locally, order by part number and size as shown on parts list.
 † Part of Blade Spindle Assembly 901-9567.

NOTE: No Peerless, Tecumseh parts orders will be accepted by the mower manufacturer. All parts **MUST** be ordered through your local authorized Tecumseh service dealer.

PEERLESS MODEL 1792P91
 Parts and service available through all authorized Tecumseh, Lauson Power Products Service Dealers. Check the "Yellow Pages" of your telephone directory under "Engines - Gasoline."



RIGHT ANGLE DRIVE BOX (PEERLESS 1792P91)

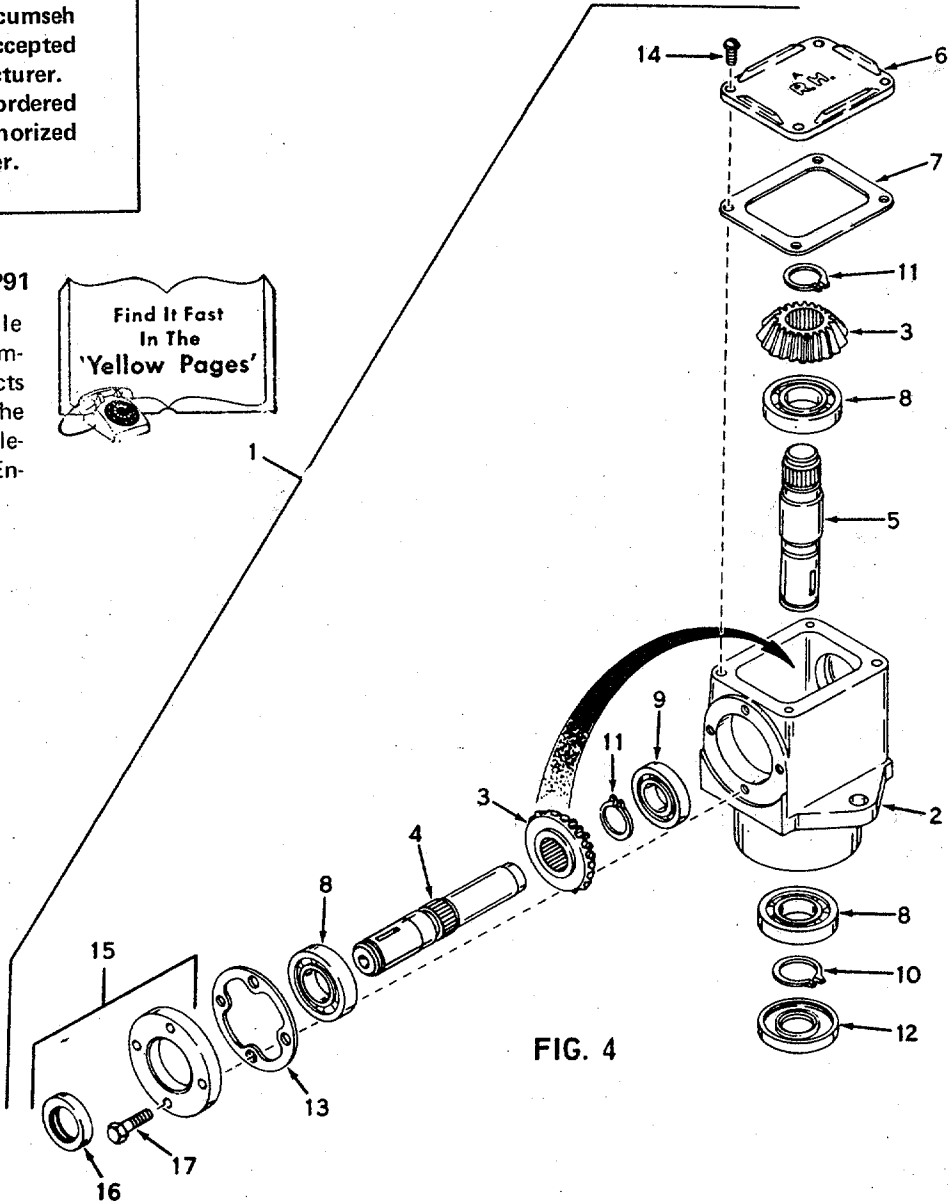


FIG. 4

PARTS LIST FOR RIGHT ANGLE DRIVE BOX (PEERLESS 1792P91)

Ref. No.	Part Number	PART NAME
1	794010A	Head Assy., Right hand (Incl. Nos. 2 thru 15)
2	770026	Housing, Right angle drive
3	778046	Gear, Miter
4	776059A	Shaft, Input pinion
5	776060A	Shaft, Output
6	772034	Cover, Right hand
7	788028	Gasket, Cover
8	780034	Bearing, Ball
9	780024	Bearing, Ball
10	788019	Ring, Snap
11	788018	Ring, Snap
12	788029	Seal, Oil
13	788030	Gasket, Cap
14	792025	Screw, Rd. Hd. Self-tap., 10-24 x 1/2
15	786029	Cap & Seal Assy., Retainer (Incl. Nos. 16 & 17)
16	788031	Seal, Oil
17	792026	Screw, Hex Hd., 1/4-20 x 7/8